

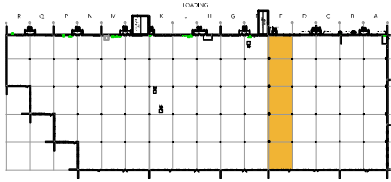
TOTAL SF AVAILABLE -5,109 RSF

OFFICE - 2,167 RSF

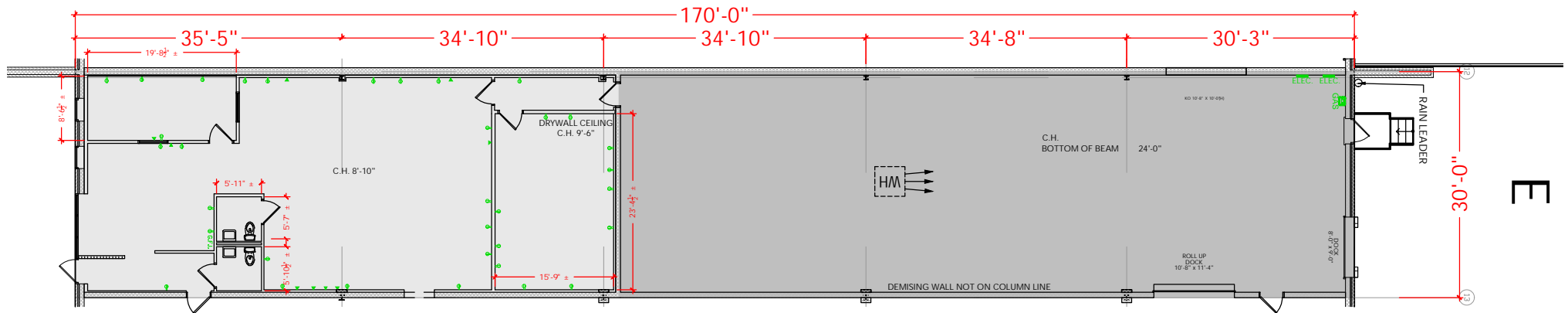
WAREHOUSE - 2,942 RSF

* INCLUDES % OF METER ROOM

[Click to access CADD file](#)



Key Plan



Floor Plan