

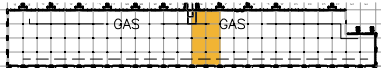
**TOTAL SF AVAILABLE - 6,980 RSF**

**OFFICE - 0,000 RSF**

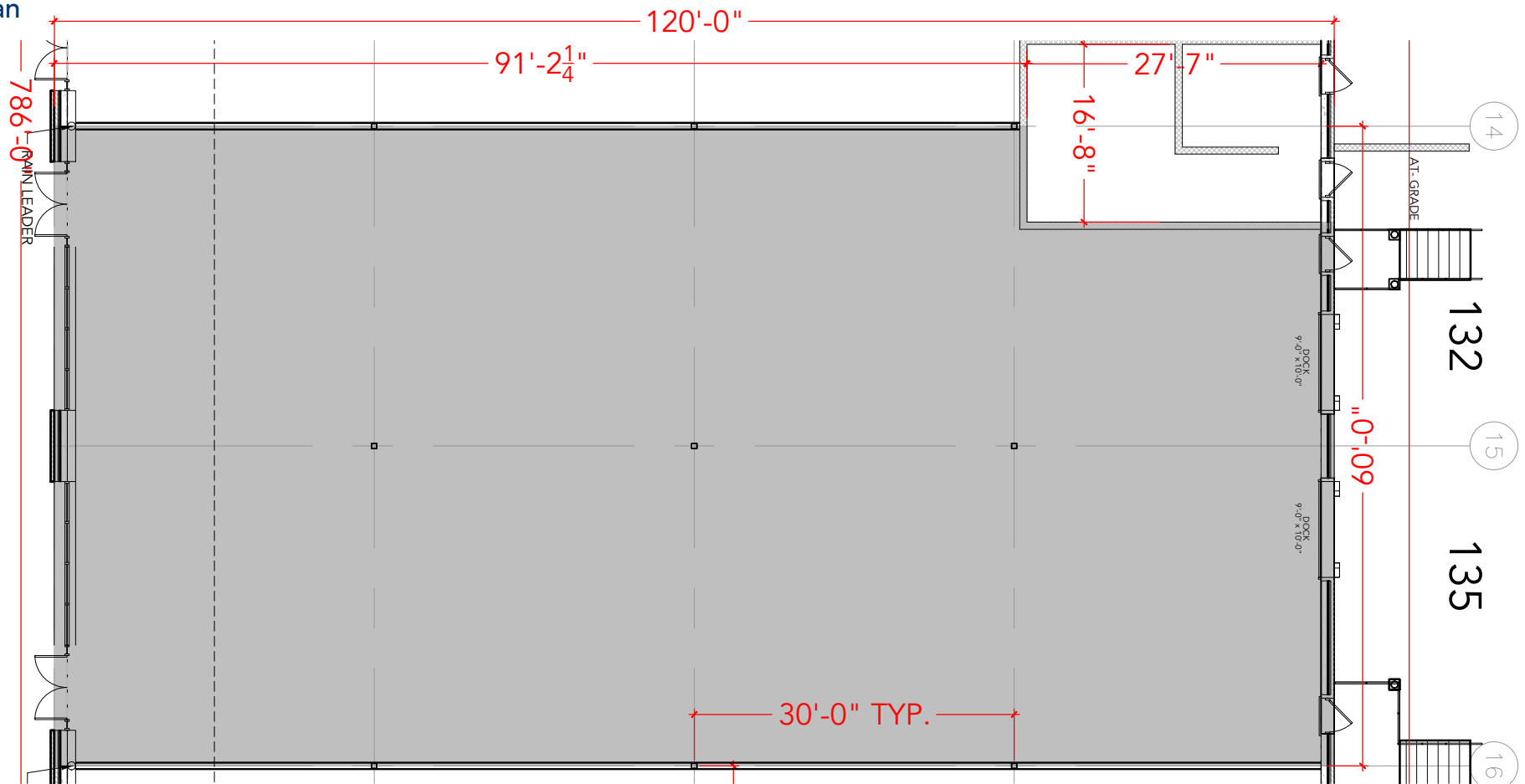
**WAREHOUSE - 6,980 RSF**

\* INCLUDES % OF METER ROOM

[Click to access 3D model](#)



**Key Plan**



**Floor Plan**